



SERVICE LETTER

No. 863

Piper Aircraft Corporation

FAA/DOA SO-1 Approved

Lock Haven, Pennsylvania, U.S.A.

November 17, 1978 S

Subject:

Master Relay Diode Assembly - Refinements

Models Affected:

PA-28-181 Cherokee Archer II
PA-28R-201 Cherokee Arrow III
PA-28R-201T Cherokee Turbo Arrow III

Serial Numbers Affected:

28-7690001 to 28-7890446 Inclusive
28R-7737001 to 28R-7837222 Inclusive
28R-7703001 to 28R-7803281 Inclusive

Compliance Time:

Recommended at the next Progressive,
100 Hour or Annual Inspection, whichever
occurs first.

Purpose:

The master relay diode assembly may rest on the diode protective sleeve and after a time in service, it is possible that this condition could allow the diode wire to chafe through the protective sleeve and contact the battery shelf. This would cause the diode to become inoperative.

Also, the diode assembly incorporates a fused resistor. One end of the resistor is attached to the diode, the other end to a terminal strip. Should there be a malfunction in the system, the fused resistor will radiate heat and may melt the A.B.S. material mounting panel.

This Service Release offers instructions for incorporating these Product Refinements.

Instructions:

1. Remove the battery box cover and disconnect the battery terminal lead wires.
2. Locate the master relay diode assembly, part number 62279-00, mounted under the master relay (attached to the end of the battery box by two (2) AN4 Bolts).
3. Remove the diode assembly from the aircraft.
4. Modify the diode assembly as shown in the sketch attached as follows.
5. Relocate .250 holes (2) at the lower position (2.40 inches).
6. Trim the A.B.S. Material Panel as shown (3.40 inches).
7. Relocate the fused resistor below the panel flange as shown.

over

Instructions: (continued)

8. Reinstall the diode assembly in reverse of Instructions 1, 2 and 3 above. Insure all electrical connections are tight.
9. Make a log book entry that this Service Release has been complied with.

Material Required:

Not applicable.

Availability of Parts:

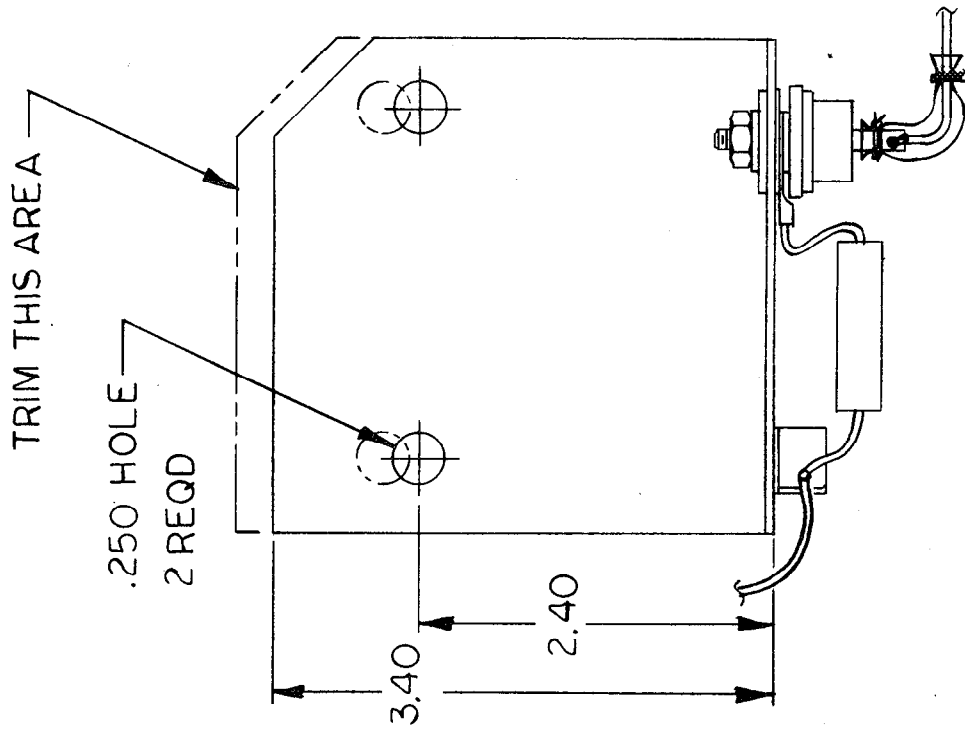
Not applicable.

Effectivity Date:

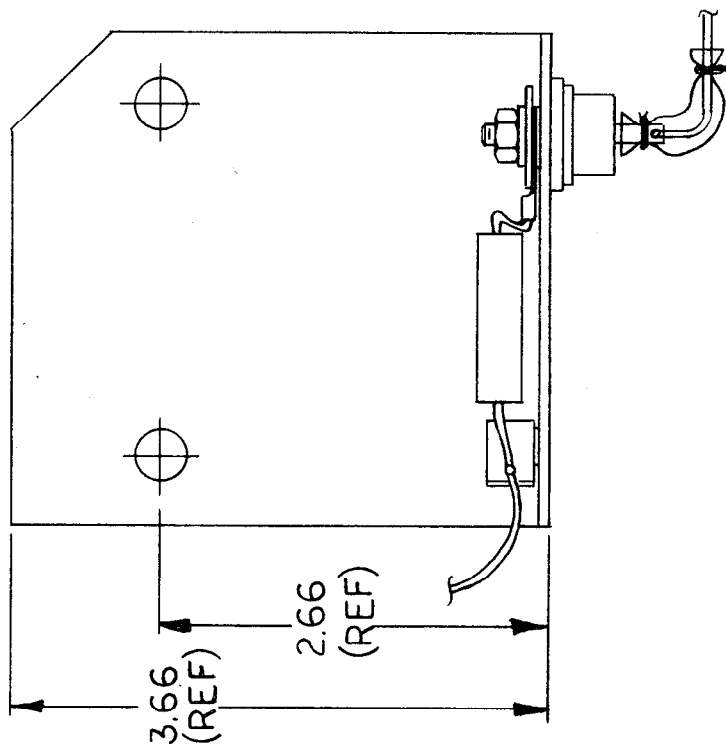
This Service Release is effective upon receipt.

Summary:

Please contact your Piper Field Service Facility to make arrangements for compliance with the provisions of this Service Release in accordance with Compliance Time, above.



MODIFIED



ORIGINAL